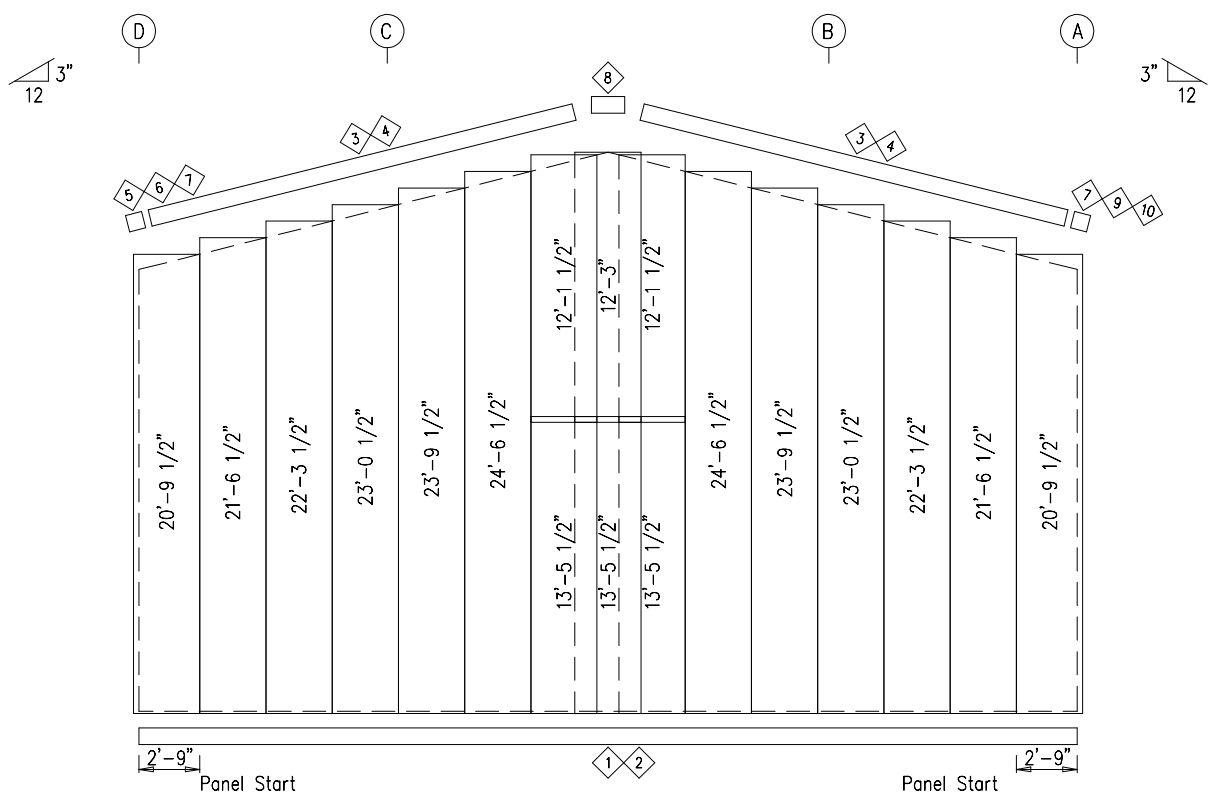


LEFT ENDWALL FRAMING: FRAME LINE 1



LEFT ENDWALL SHEETING & TRIM: FRAME LINE 1  
 PANELS: 26 Ga. R-Loc - Need SMP Color

TRIM TABLE				
FRAME LINE 1				
ID	QUAN	PART	LENGTH	DETAIL
1	1	BA6102	10'-2"	TRIM_1
2	2	BA6	20'-4"	TRIM_1
3	2	Q7646102	10'-2"	TRIM_66
4	2	Q7646	12'-2"	TRIM_66
5	1	Q765L6	6"	
6	1	AR963L6	9 1/8"	
7	2	AR9626	8 1/16"	
8	1	Q7676	1'-4"	TRIM_100
9	1	Q765R6	6"	
10	1	AR963R6	9 1/8"	

BOLT TABLE				
FRAME LINE 1				
LOCATION	QUAN	TYPE	DIA	LENGTH
ER-1/ER-1	8	A325	5/8"	1 1/2"
Columns/Rof	4	A325	1/2"	1 1/4"

MEMBER TABLE			
FRAME LINE 1			
QUAN	MARK	PART	LENGTH
1	EC-1	W8X10	18'-9"
2	EC-2	W8X10	21'-3 1/4"
1	EC-3	W8X10	18'-9"
2	ER-1	W08531	21'-10 5/16"
10	G-1	10X25Z16	9'-5"
3	G-2	10X25Z14	19'-4"
1	G-3	10X25Z12	19'-4"
1	G-4	10X35Z12	19'-4"
2	CB-1	GS1716	28'-3"

FLANGE BRACE TABLE			
FRAME LINE 1			
ID	QUAN	MARK	LENGTH
1	4	FB29.3	2'-5 1/4"

NOTE:  
 ALL DIMENSIONS, QUANTITIES, LOCATIONS, SIZES, AND SPECIFICATIONS ARE SUBJECT TO BE CHANGED UPON FINAL DESIGN AND RELEASE OF PERMIT DRAWINGS.

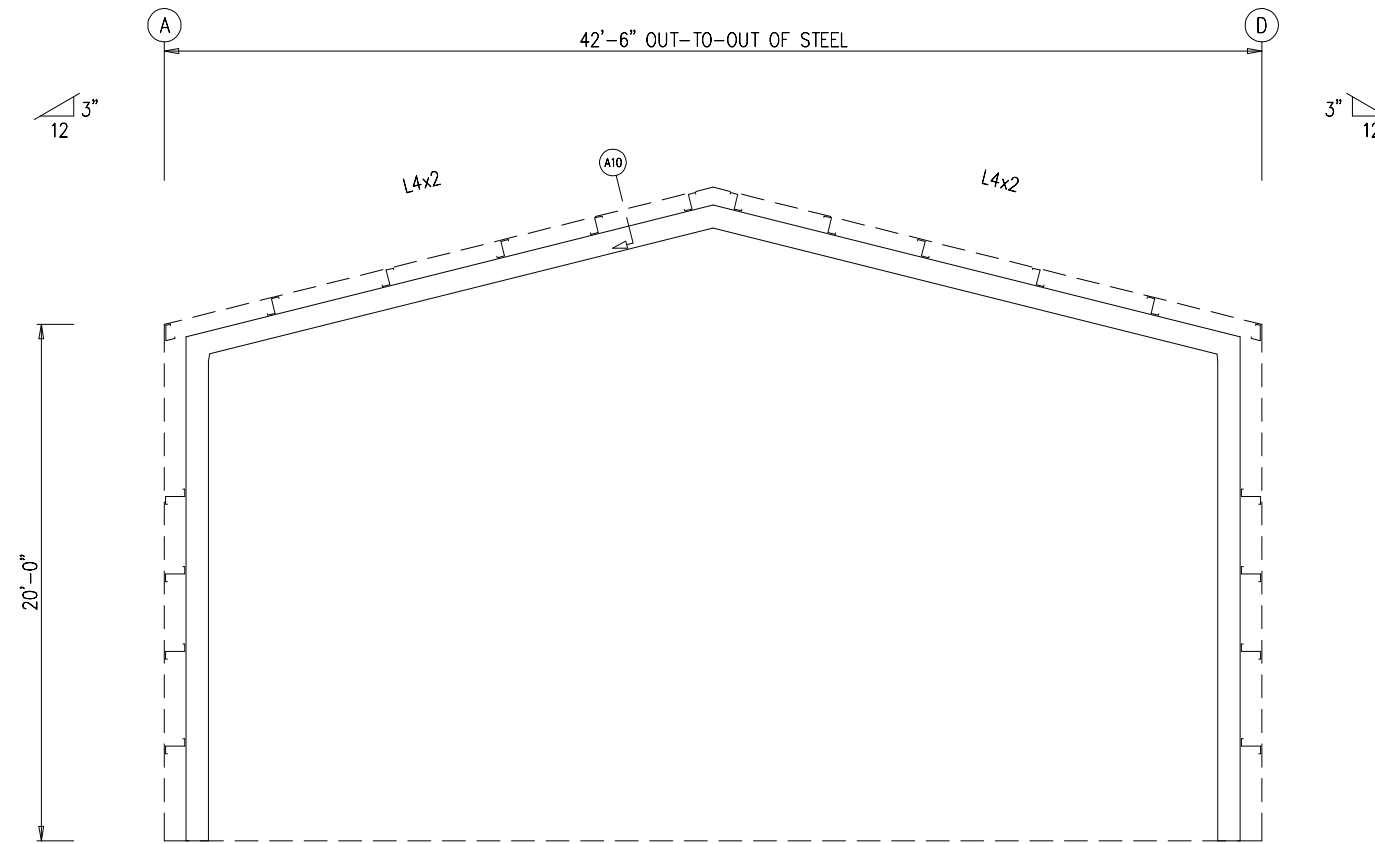
ISSUE	DESCRIPTION	DATE	DRN.	CHK.	DES.
P	PERMIT	2/10/23	TBD	MBS	TBD



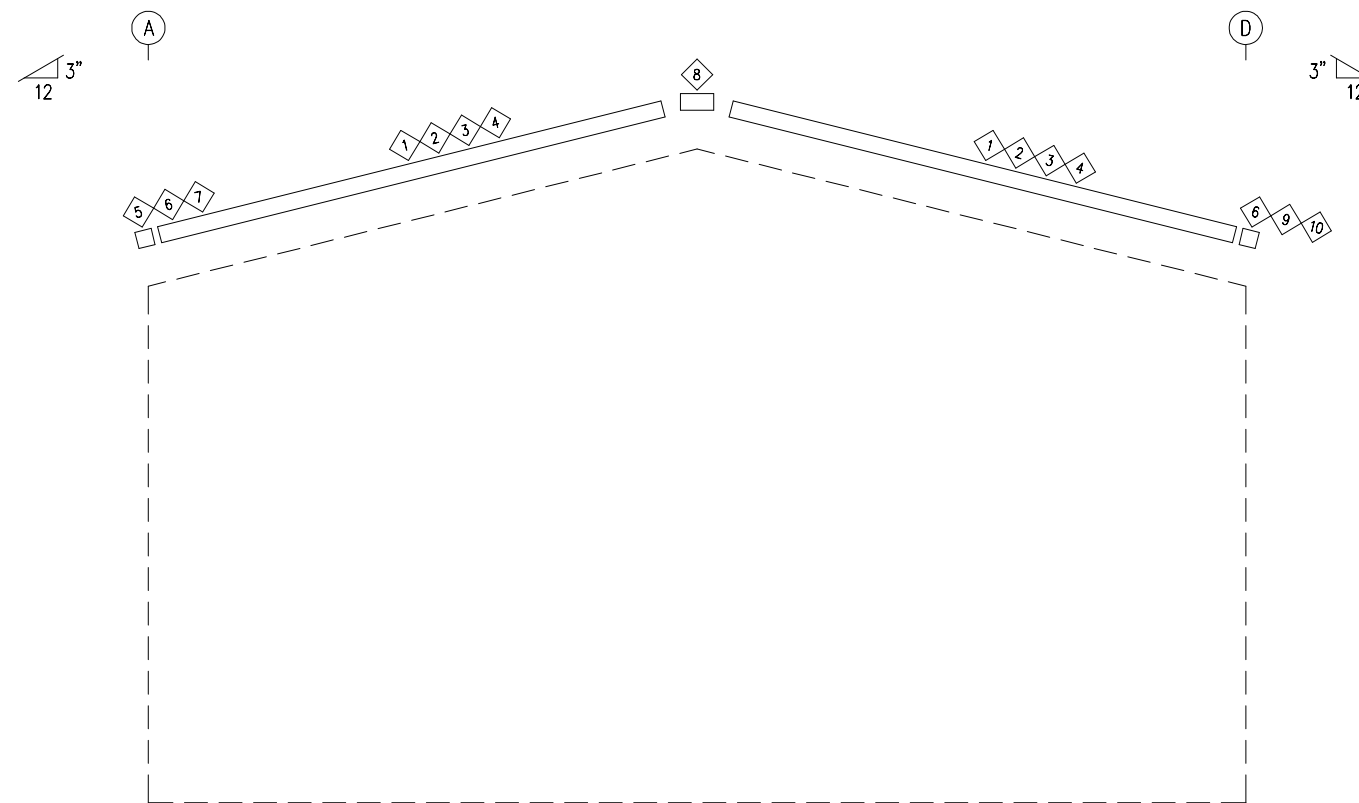
DESCRIPTION	ENDWALL FRAMING & SHEETING
CUSTOMER	DEALER
END USER	PROJECT
SCALE	NOT TO SCALE
JOB NO.:	ENC. BY: TBD
DATE:	2/15/23

Soltis\_Dan\_Sirhat(B)

TRIM TABLE				
FRAME LINE 6				
ID	QUAN	PART	LENGTH	DETAIL
1	2	Q7646102	10'-2"	TRIM_70
2	2	Q7646	12'-2"	
3	2	Q7906102	10'-2"	
4	2	Q7906	12'-2"	
5	1	Q765L6	6"	TRIM_100
6	2	AR9626	8 1/16"	
7	1	AR963R6	9 1/8"	
8	1	Q7676	1'-4"	
9	1	AR963L6	9 1/8"	
10	1	Q765R6	6"	



RIGHT ENDWALL FRAMING: FRAME LINE 6



RIGHT ENDWALL SHEETING & TRIM: FRAME LINE 6

NOTE:  
ALL DIMENSIONS, QUANTITIES, LOCATIONS, SIZES, AND SPECIFICATIONS ARE SUBJECT TO BE CHANGED UPON FINAL DESIGN AND RELEASE OF PERMIT DRAWINGS.

ISSUE	DESCRIPTION	DATE	DRN.	CHK.	DES.
P	PERMIT	2/10/23	TBD	MBS	TBD



2 Inverness Drive East, Ste#200  
Englewood, Colorado 80112  
PHONE: 800-345-4610  
www.armstrongsteel.com

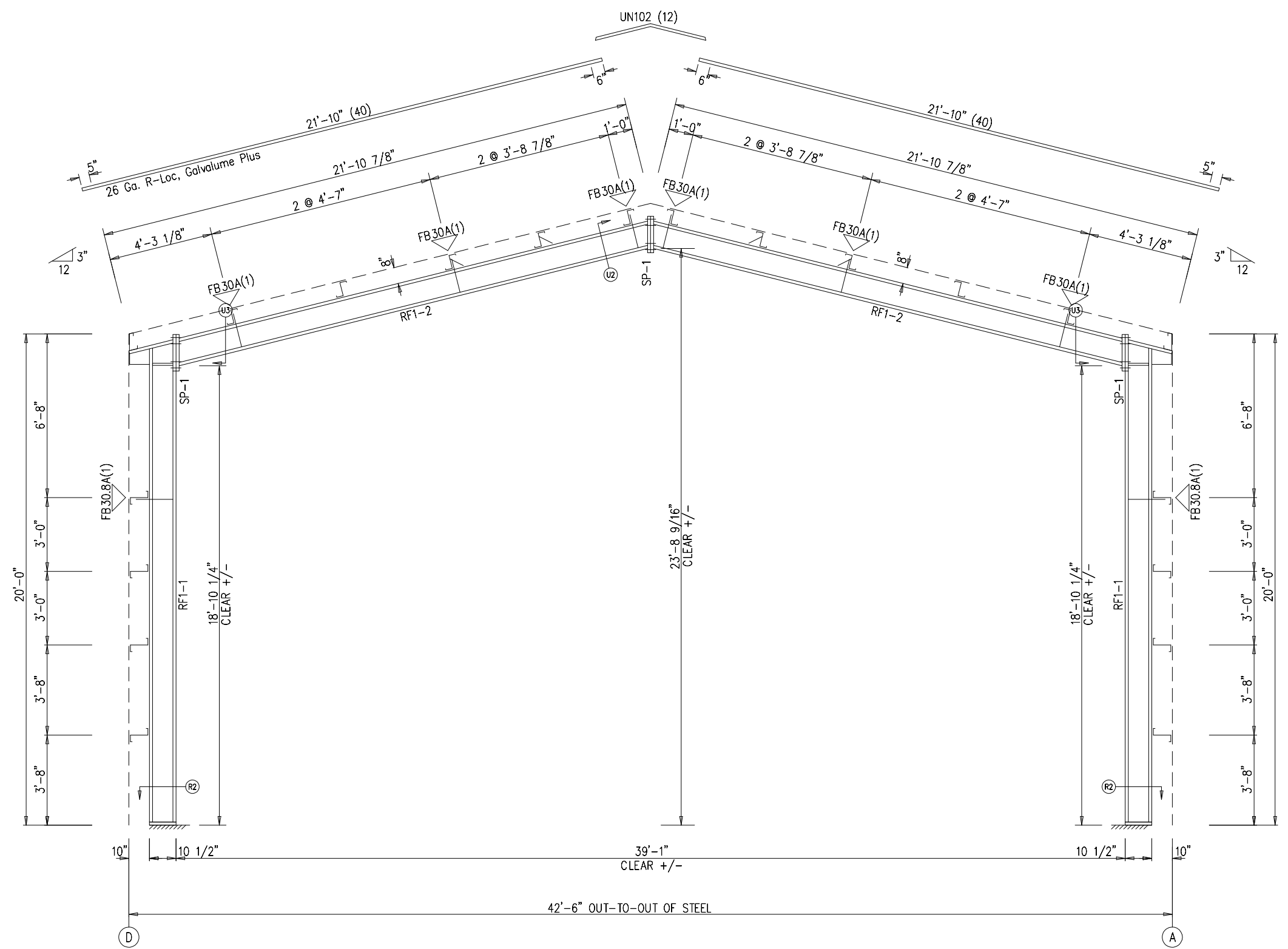
DESCRIPTION	ENDWALL FRAMING & SHEETING
CUSTOMER	DEALER
END USER	PROJECT
SCALE	NOT TO SCALE
JOB NO.:	ENC. BY: TBD
DATE:	2/15/23

Soltis\_Dan\_Sirhat(B)

SPLICE BOLT TABLE						
Mark	Qty		Int	Type	Dia	Length
	Top	Bot				
SP-1	4	4	0	A325	0.625	2.00

MEMBER TABLE								
Mark	Web Depth		Web Plate		Outside Flange		Inside Flange	
	Start	End	Thick	Length	W x Thk	x Length	W x Thk	x Length
RF1-1	10.0	10.0	0.135	18'-3 3/8"	5 x 1/4"	x 19'-5 1/2"	5 x 1/4"	x 18'-6 3/8"
RF1-2	10.0	10.0	0.250	1'-4 5/8"	5 x 1/4"	x 1'-8 13/16"	5 x 1/4"	x 20'-0 3/8"
	10.0	10.0	0.135	18'-2 15/16"	5 x 1/4"	x 20'-0 3/8"	5 x 1/4"	x 20'-0 3/8"
	10.0	10.0	0.135	2'-0"				

▽ FLANGE BRACES: FBxx (1 or 2)  
 xx=length(in)  
 (1) One Side; (2) Two Sides  
 A - B316



RIGID FRAME ELEVATION: FRAME LINE 6

NOTE:  
 ALL DIMENSIONS, QUANTITIES, LOCATIONS,  
 SIZES, AND SPECIFICATIONS ARE SUBJECT TO BE  
 CHANGED UPON FINAL DESIGN AND RELEASE OF  
 PERMIT DRAWINGS.

ISSUE	DESCRIPTION	DATE	DRN.	CHK.	DES.
P	PERMIT	2/10/23	TBD	MBS	TBD



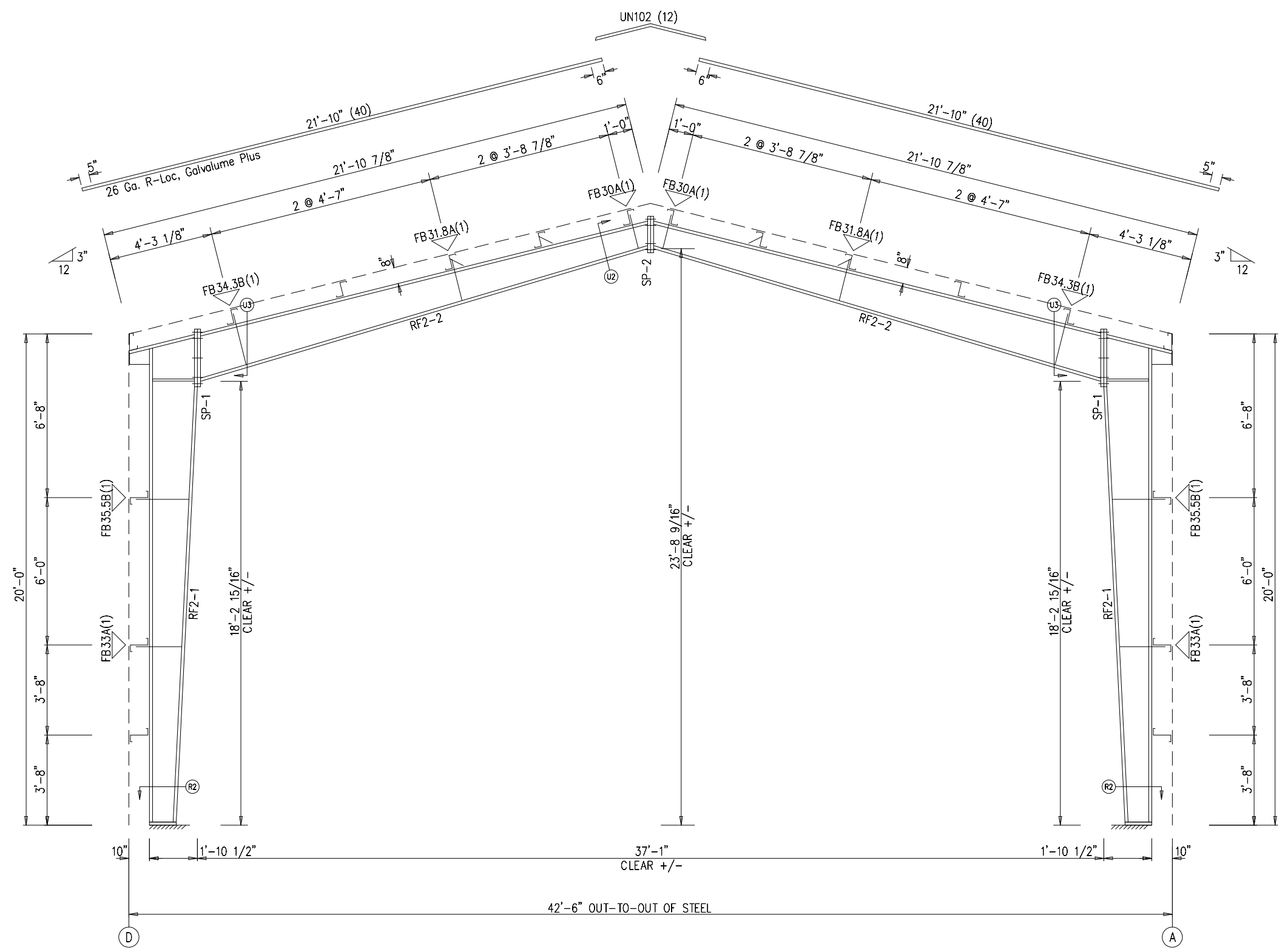
2 Inverness Drive East, Ste#200  
 Englewood, Colorado 80112  
 PHONE: 800-345-4610  
 www.armstrongsteel.com

DESCRIPTION	RIGID FRAME ELEVATION
CUSTOMER	DEALER
END USER	PROJECT
SCALE	NOT TO SCALE
JOB NO.	ENC. BY: TBD
	DATE: 2/15/23
Soltis_Dan_Sirhat(B)	

SPLICE BOLT TABLE						
Mark	Qty		Int	Type	Dia	Length
	Top	Bot				
SP-1	4	4	2	A325	0.625	2.00
SP-2	4	4	0	A325	0.625	2.00

MEMBER TABLE								
Mark	Web Depth		Web Plate		Outside Flange		Inside Flange	
	Start/End	Thick	Length	Thick	W x Thk x Length	W x Thk x Length	W x Thk x Length	
RF2-1	10.0/21.8	0.135	17'-8"		5 x 1/4" x 19'-5 1/2"	5 x 1/4" x 17'-11 5/16"		
RF2-2	21.8/22.0	0.188	2'-3 1/16"		5 x 1/4" x 2'-9 3/16"			
RF2-2	20.0/10.0	0.135	19'-5 1/16"		5 x 1/4" x 19'-0"	5 x 1/4" x 19'-2 11/16"		

▽ FLANGE BRACES: FBxx (1 or 2)  
 xx=length(in)  
 (1) One Side; (2) Two Sides  
 A - B316  
 B - B314



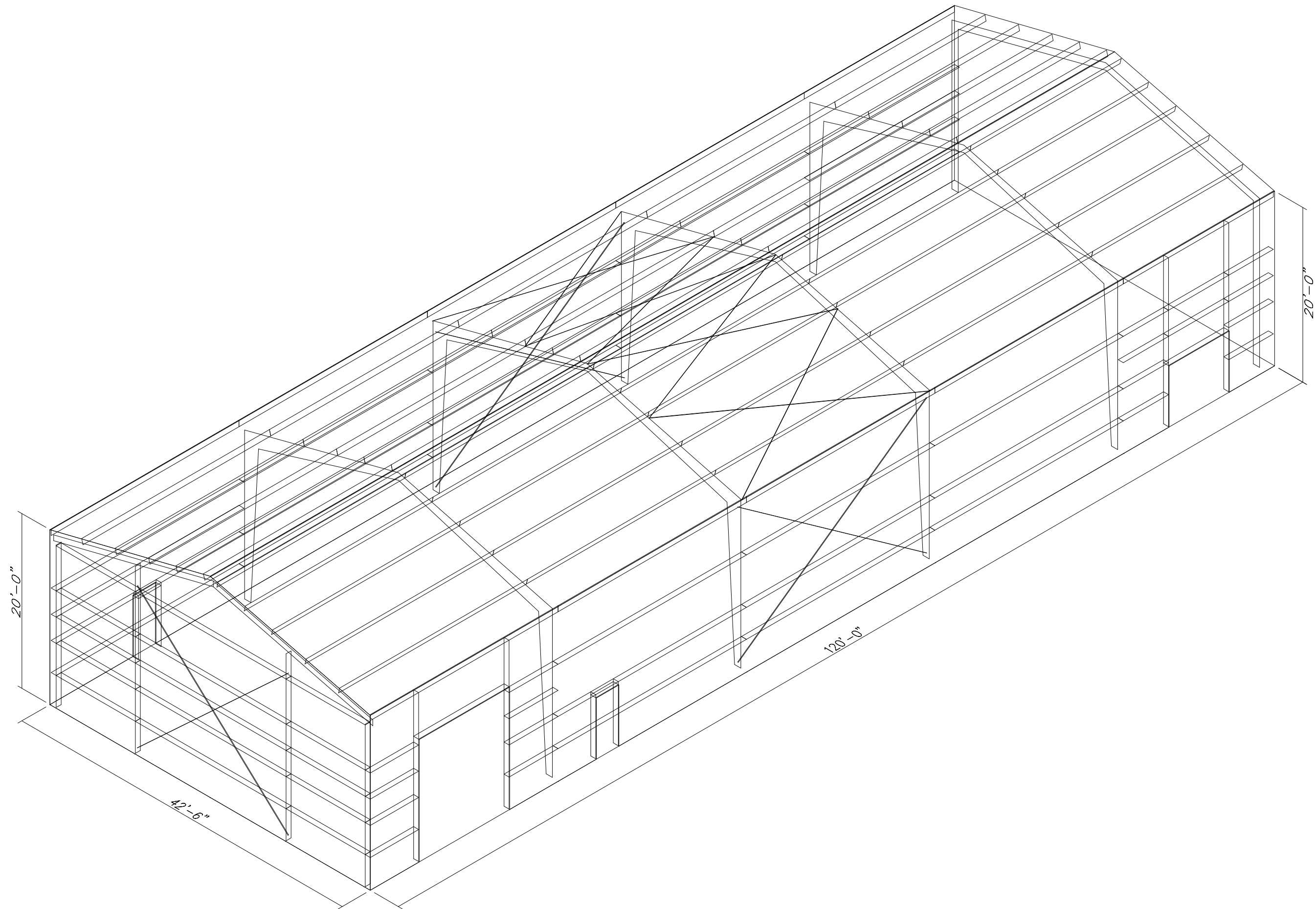
RIGID FRAME ELEVATION: FRAME LINE 2 3 4 5

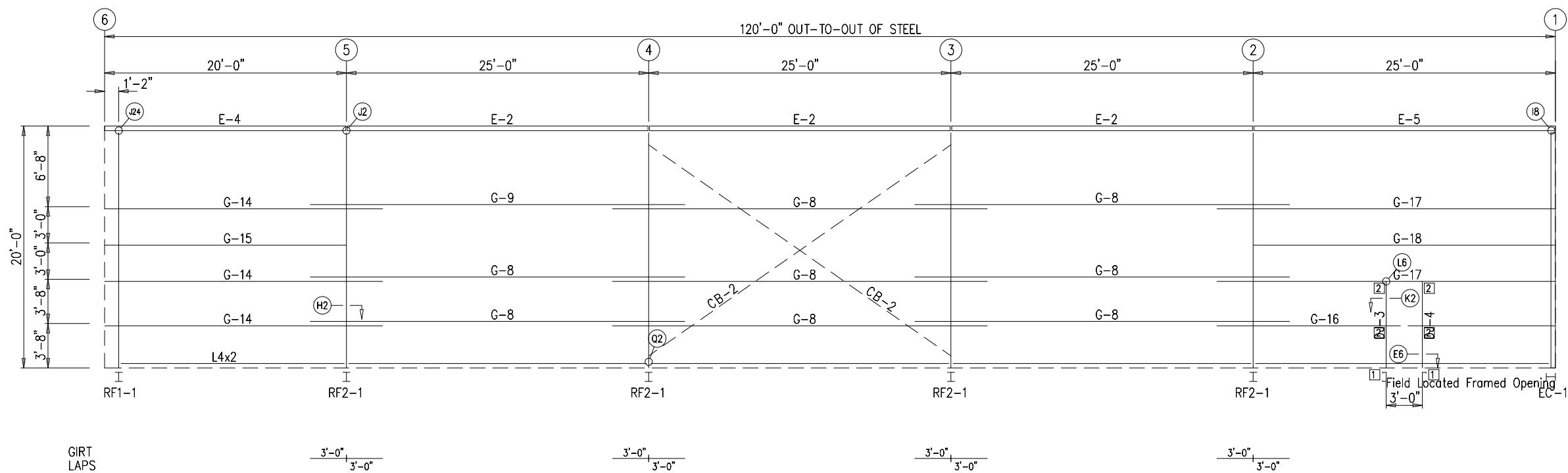
NOTE:  
 ALL DIMENSIONS, QUANTITIES, LOCATIONS, SIZES, AND SPECIFICATIONS ARE SUBJECT TO BE CHANGED UPON FINAL DESIGN AND RELEASE OF PERMIT DRAWINGS.

ISSUE	DESCRIPTION	DATE	DRN.	CHK.	DES.
P	PERMIT	2/10/23	TBD	MBS	TBD

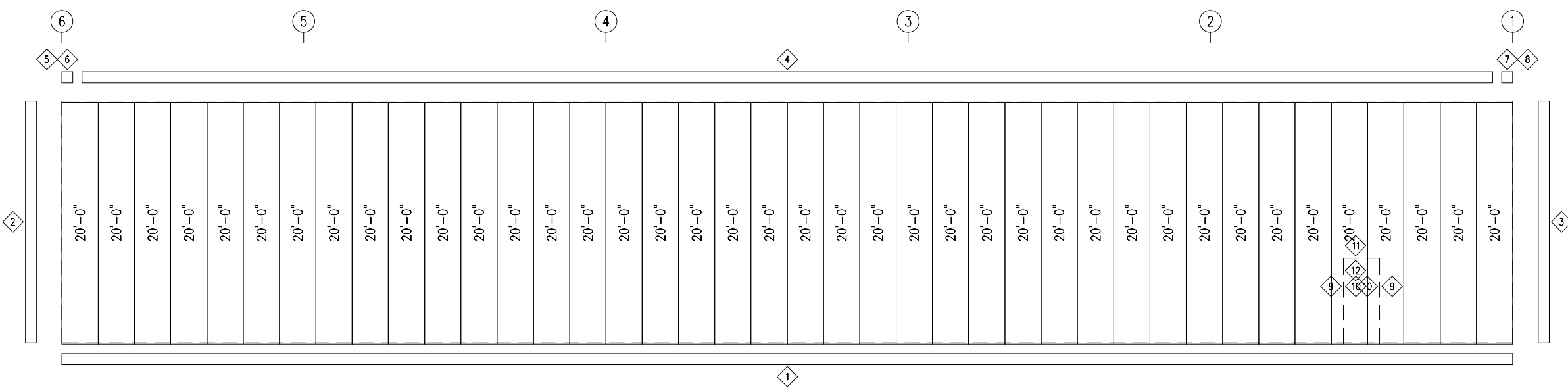


DESCRIPTION	RIGID FRAME ELEVATION
CUSTOMER	DEALER
END USER	PROJECT
SCALE	NOT TO SCALE
JOB NO.:	
DATE:	
DESIGNED BY:	TBD
CHECKED BY:	Soltis_Dan_Sirhat(B)





BACK SIDEWALL FRAMING: FRAME LINE D



BACK SIDEWALL SHEETING & TRIM: FRAME LINE D  
PANELS: 26 Ga. R-Loc - Need SMP Color

TRIM TABLE FRAME LINE D				
ID	QUAN	PART	LENGTH	DETAIL
1	6	BA6	20'-4"	TRIM_1
2	1	AR6086	20'-4"	TRIM_33
3	1	OU6	20'-4"	TRIM_30
4	6	Q7726	20'-4"	TRIM_61
5	1	Q773L6	6"	
6	1	AR961L6	7 7/16"	TRIM_60
7	1	Q773R6	6"	
8	1	AR961R6	7 7/16"	TRIM_60
9	2	AR3716	7'-4"	TRIM_50
10	2	JA6	7'-2"	TRIM_50
11	1	AR3816	3'-7"	TRIM_51
12	1	HE6	3'-6"	TRIM_51

MEMBER TABLE FRAME LINE D				
QUAN	MARK	PART	LENGTH	
1	DJ-3	10X25C16	7'-0"	
1	DJ-4	10X25C16	7'-0"	
3	E-2	08536DU3	24'-11"	
1	E-4	08536DU3	19'-11"	
1	E-5	08536DU3	24'-11"	
8	G-8	10X25Z16	31'-0"	
1	G-9	10X25Z14	31'-0"	
3	G-14	10X25Z16	22'-11 1/2"	
1	G-15	10X25Z14	20'-2 1/4"	
1	G-16	10X25Z16	27'-11 1/2"	
2	G-17	10X25Z14	27'-11 1/2"	
1	G-18	10X25Z12	25'-2 1/4"	
2	CB-2	GS1720	31'-4 1/2"	

CONNECTION PLATES FRAME LINE D			
ID	QUAN	MARK/PART	
1	2	BC-05	
2	4	BC-01	

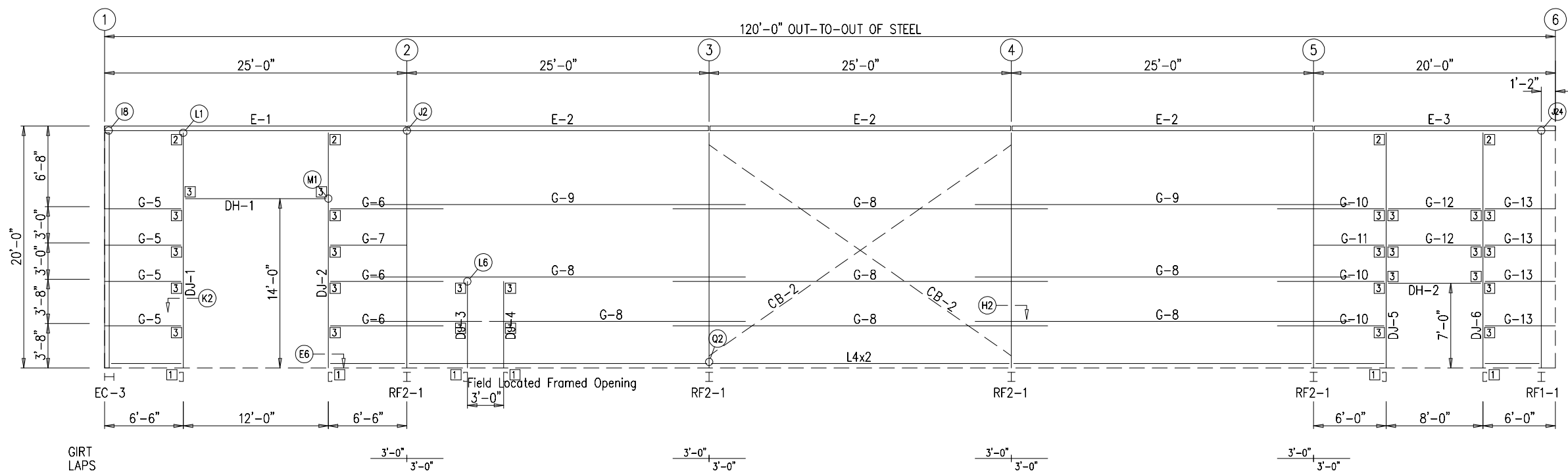
NOTE:  
ALL DIMENSIONS, QUANTITIES, LOCATIONS, SIZES, AND SPECIFICATIONS ARE SUBJECT TO BE CHANGED UPON FINAL DESIGN AND RELEASE OF PERMIT DRAWINGS.

ISSUE	DESCRIPTION	DATE	DRN.	CHK.	DES.
P	PERMIT	2/10/23	TBD	MBS	TBD

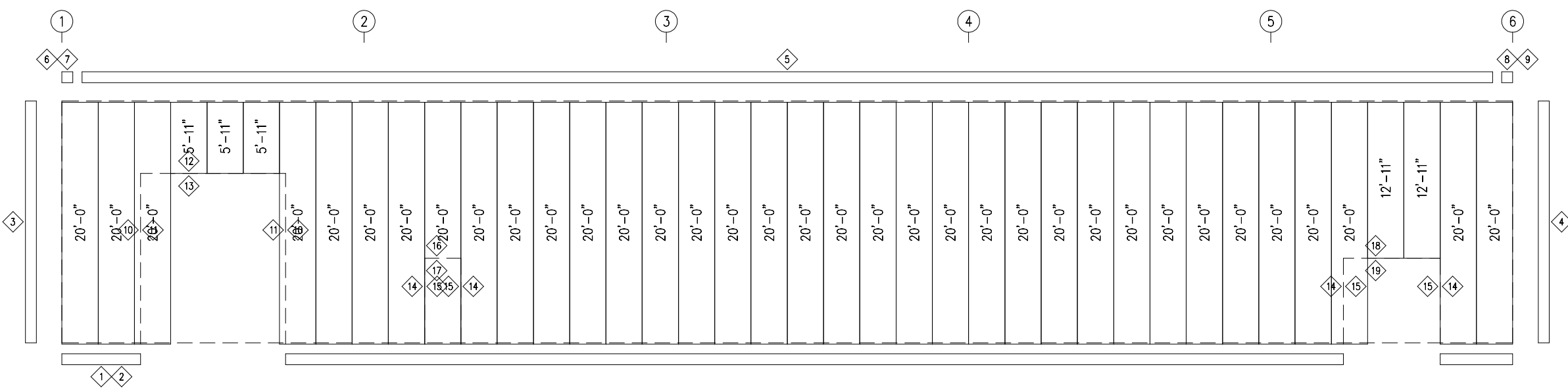


2 Inverness Drive East, Ste#200  
Englewood, Colorado 80112  
PHONE: 800-345-4610  
www.armstrongsteel.com

DESCRIPTION	SIDEWALL FRAMING & SHEETING	
CUSTOMER	DEALER	
END USER	PROJECT	
SCALE	NOT TO SCALE	
JOB NO.:	ENC. BY: TBD	DATE: 2/15/23
Soltis_Dan_Sirhat(B)		



FRONT SIDEWALL FRAMING: FRAME LINE A



FRONT SIDEWALL SHEETING & TRIM: FRAME LINE A  
PANELS: 26 Ga. R-Loc - Need SMP Color

TRIM TABLE				
FRAME LINE A				
ID	QUAN	PART	LENGTH	DETAIL
1	3	BA6102	10'-2"	TRIM_1
2	4	BA6	20'-4"	TRIM_1
3	1	OU6	20'-4"	TRIM_30
4	1	AR6086	20'-4"	TRIM_33
5	6	Q7726	20'-4"	TRIM_61
6	1	Q773L6	6"	
7	1	AR961L6	7 7/16"	TRIM_60
8	1	Q773R6	6"	
9	1	AR961R6	7 7/16"	TRIM_60
10	2	AR3716	16'-2"	TRIM_50
11	2	JA6	14'-2"	TRIM_50
12	1	AR3716	12'-2"	TRIM_51
13	1	HE6	12'-3"	TRIM_51
14	4	AR3716	7'-4"	TRIM_50
15	4	JA6	7'-2"	TRIM_50
16	1	AR3816	3'-7"	TRIM_51
17	1	HE6	3'-6"	TRIM_51
18	1	AR371610	10'-2"	TRIM_51
19	1	HE6	8'-3"	TRIM_51

MEMBER TABLE			
FRAME LINE A			
QUAN	MARK	PART	LENGTH
1	DJ-1	10X25C12	19'-3 1/4"
1	DJ-2	10X25C12	19'-3 1/4"
1	DJ-3	10X25C16	7'-0"
1	DJ-4	10X25C16	7'-0"
1	DJ-5	10X35C14	19'-3 1/4"
1	DJ-6	10X35C14	19'-3 1/4"
1	DH-1	10X25C16	11'-11"
1	DH-2	10X25C16	7'-11"
1	E-1	08536DU3	24'-11"
3	E-2	08536DU3	24'-11"
1	E-3	08536DU3	19'-11"
4	G-5	10X25Z16	6'-1 1/2"
3	G-6	10X25Z16	9'-2"
1	G-7	10X25Z16	6'-4 3/4"
7	G-8	10X25Z16	31'-0"
2	G-9	10X25Z14	31'-0"
3	G-10	10X25Z16	8'-8"
1	G-11	10X25Z16	5'-10 3/4"
2	G-12	10X25Z16	7'-11"
4	G-13	10X25Z16	5'-7 1/2"
2	CB-2	GS1720	31'-4 1/2"

CONNECTION PLATES			
FRAME LINE A			
ID	QUAN	MARK/PART	
1	6	BC-05	
2	4	BC-37D	
3	28	BC-01	

NOTE:  
ALL DIMENSIONS, QUANTITIES, LOCATIONS, SIZES, AND SPECIFICATIONS ARE SUBJECT TO BE CHANGED UPON FINAL DESIGN AND RELEASE OF PERMIT DRAWINGS.

ISSUE	DESCRIPTION	DATE	DRN.	CHK.	DES.
P	PERMIT	2/10/23	TBD	MBS	TBD



DESCRIPTION	SIDEWALL FRAMING & SHEETING
CUSTOMER	DEALER
END USER	PROJECT
SCALE	NOT TO SCALE
JOB NO.:	DATE:
ENC. BY: TBD	DATE: 2/15/23

Soltis\_Dan\_Sirhan(B)